

NORVALTM

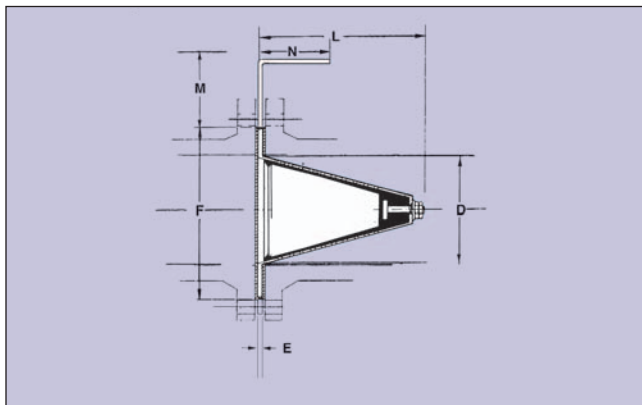
A UNIQUE NO - NOISE NON RETURN VALVE.



NORTHVALE KORTING LTD

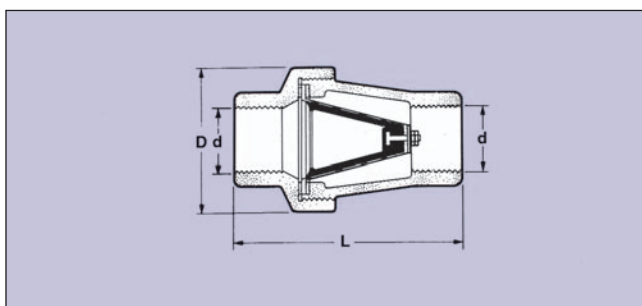


Valve dimensions



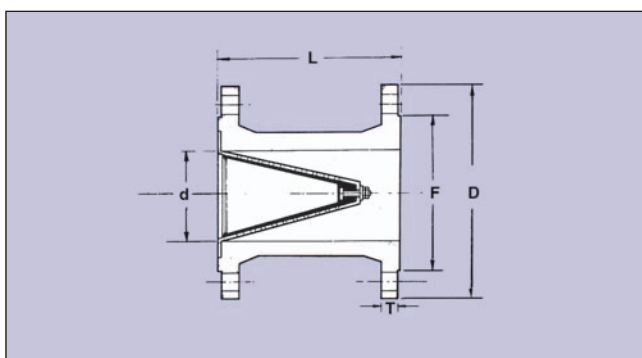
Type CD

D	mm	40	50	65	80	100	125	150	200
E	mm	2	2	2	4	4	6	6	6
F	mm	82	102	118	132	158	188	210	268
L	mm	57	78	95	120	170	218	265	353
M	mm	40	40	40	40	40	60	60	60
N	mm	60	60	60	60	60	60	60	60



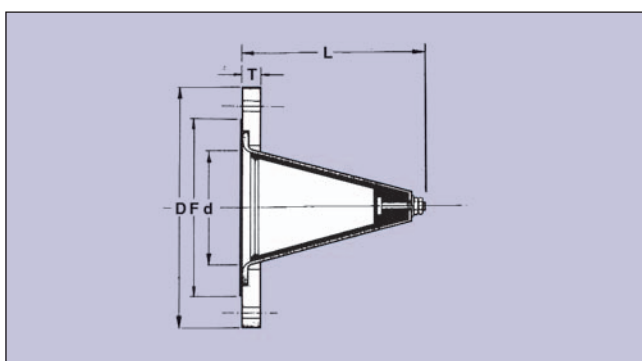
Type CD/S

d	BSP	½"	¾"	1"	1¼"	1½"	2"
L	mm	90	90	112	112	112	135
D	mm	46	46	65	65	70	90



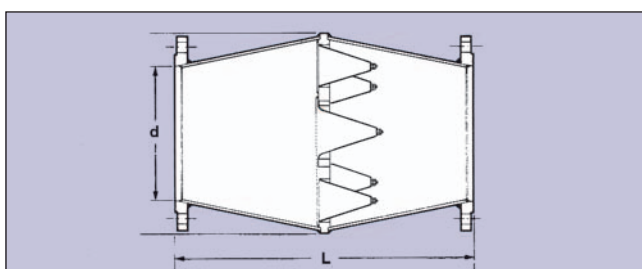
Type CD/F

d	mm	40	50	65	80	100	125	150	200
L	mm	165	203	216	241	292	330	356	495
D } F } T }	Flange details to suit BS4504, NP10, 16 ASA 125/150 or BS Table 10.								



Type CD/WF

d	mm	40	50	65	80	100	125	150	200
L	mm	57	78	95	120	170	218	265	353
D } F } T }	Flange details to suit BS4504, NP16								

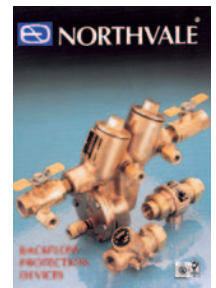
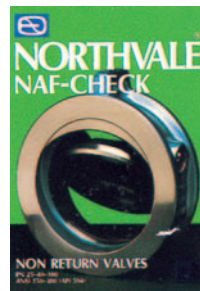


Type CD/M

d	mm	250	300	350	400	450	500	600
L	mm	600	700	800	900	1000	1100	1300

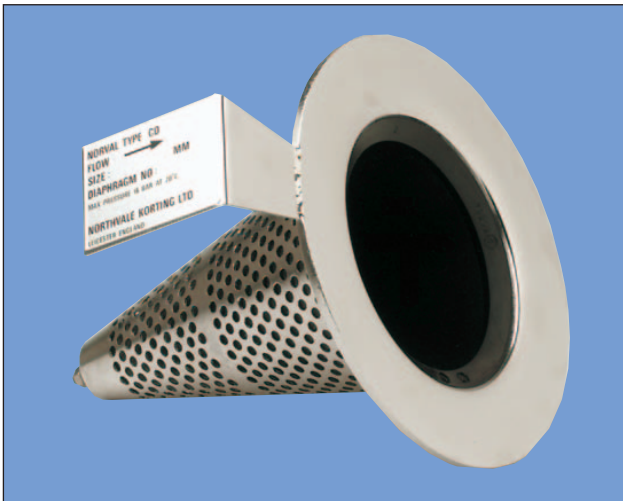
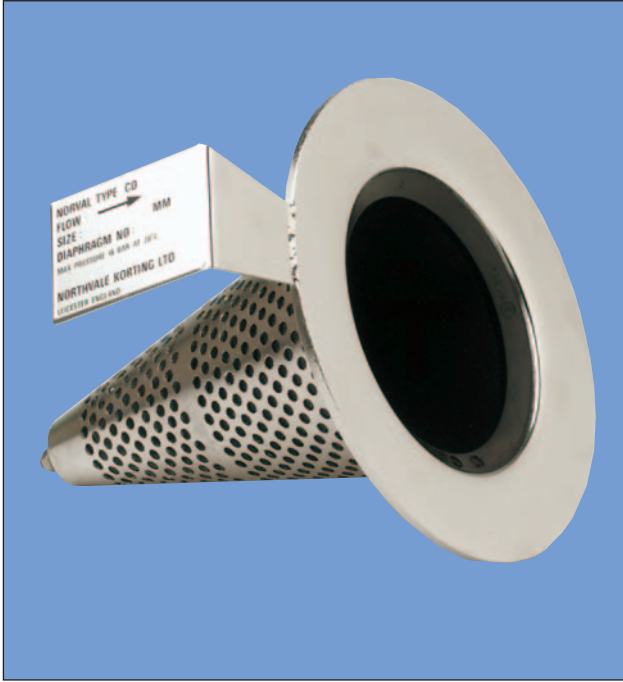


THE FOLLOWING CATALOGUES ARE AVAILABLE ON REQUEST



NORTHVALE KORTING LTD

Registered Office: Uxbridge Road, Melton Road, Leicester LE4 7ST Registered in England No. 2091066
 Telephone: (0116) 2665911 (6 lines) Fax: (0116) 2610050
 E-mail: sales@northvalekorting.co.uk Website: www.northvalekorting.co.uk



Grade	Material
3	Flurocarbon
6	Nitrile (Buna Type)
7	E P D M Ethylene Propylene
4	Silicone

It operates in any direction, vertically up or down, or horizontal.

The above pressure drop chart gives performance characteristics m^3/hr against bar. We have selected some of the more widely used units and present them in a conversion table for your convenience.

Pressure Units

	kPa	psi	m head	ft head
bar	100	14.51	10.20	33.46

Flow Units

	L/S	gpm	ft ³ /min
m^3/hr	0.2778	3.666	0.5886